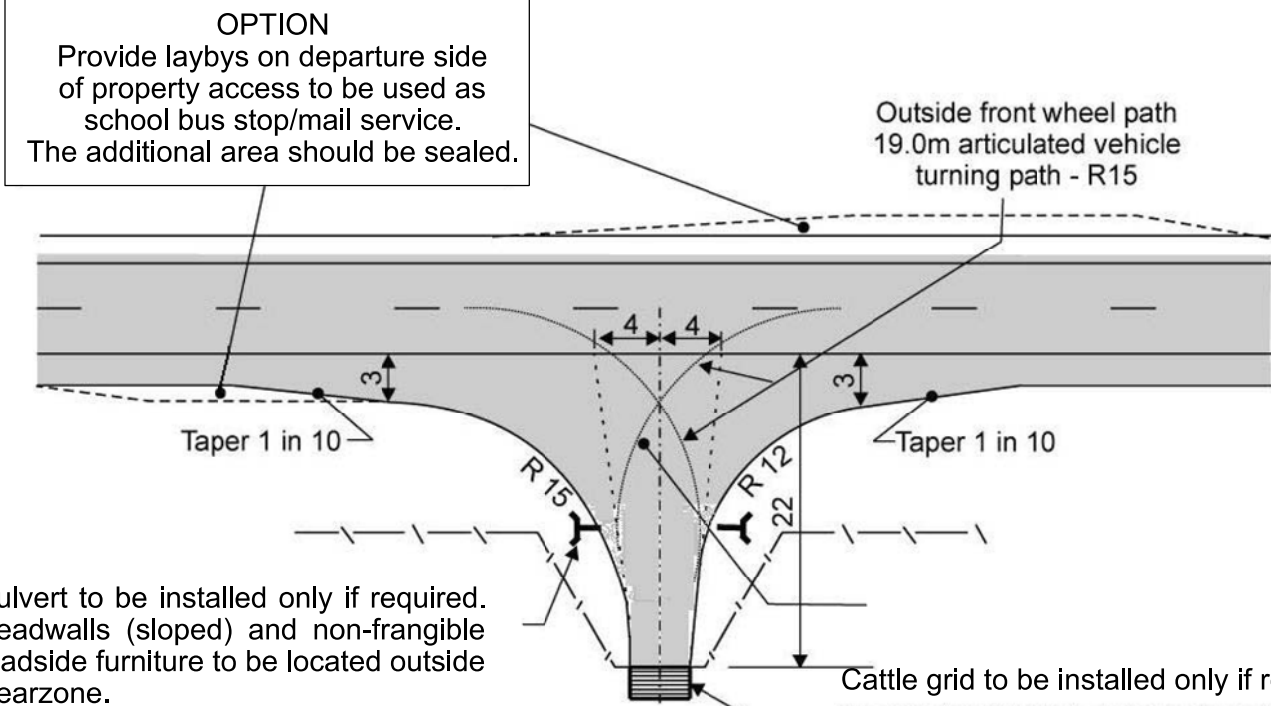
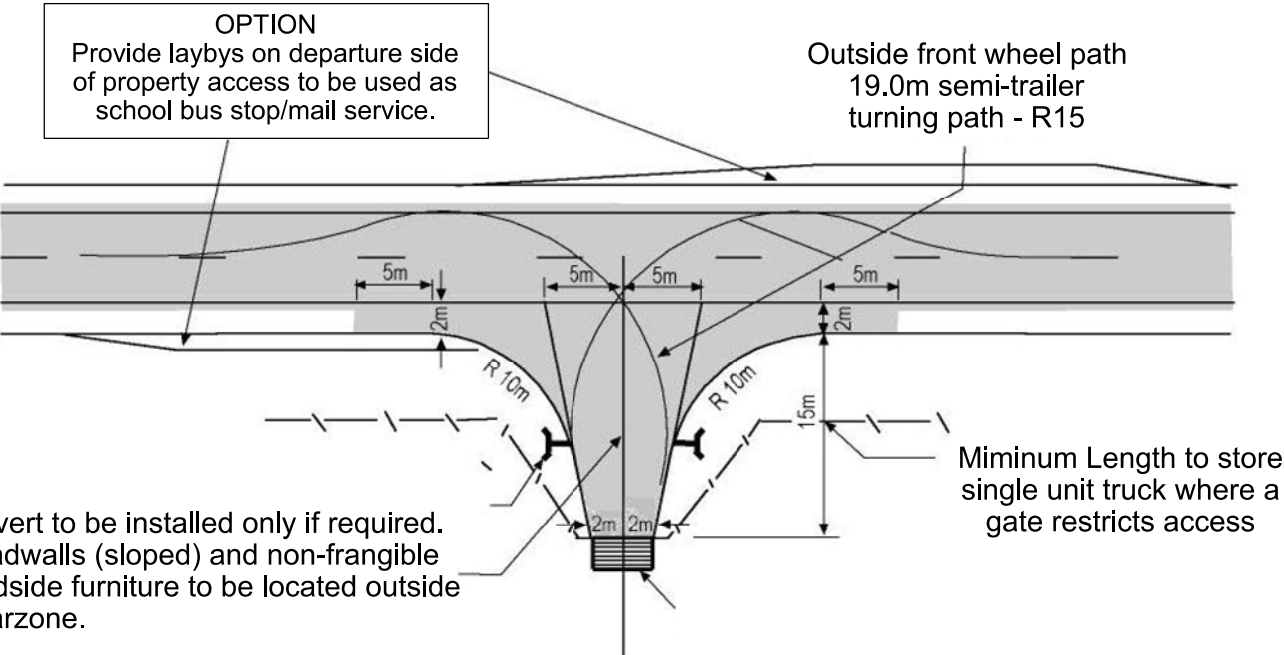


Typical Rural Property Access Standards

Access to be located where access driveway sight distance is available
Refer to AS2890.1 Table below

Access to be located where access driveway sight distance is available
Refer to AS2890.1 Table below



Culvert to be installed only if required. Headwalls (sloped) and non-frangible roadside furniture to be located outside clearzone.

Culvert to be installed only if required. Headwalls (sloped) and non-frangible roadside furniture to be located outside clearzone.

Access to be constructed with approved compacted roadbase material and sealed as per Council specifications and requirements.

Access to be constructed with approved compacted roadbase material and sealed as per Council specifications and requirements.

Cattle grid to be installed only if required. An inward opening 3.6m gate set back 15m from edge line is an alternative if access point is to be used by single unit vehicles 12.5m long or less.

Cattle grid to be installed only if required. 4m grid (preferable) or inward opening 3.6m gate. Where road train access is required, the desirable width of 8 m should be provided (minimum width is 6 m).

1. Single Unit Truck

2. Articulated Vehicles

Access Driveway Sight Distance (AS2890.1)

Speed Limit km/h	Sight Distance (rounded to nearest 5m)
50	70
60	85
70	100
80	110
90	125
100	140
110	155

- NOTES:**
- A: Council may require work to be undertaken to Auspec standards www.natspec.com.au
 - B: All ongoing maintenance to rural property access is the responsibility of the property owner.

PRODUCED: \$DATES AT \$TIMES \$USERS
 FILE PATH: \$FILES
 PLOT DRIVER: \$PLTDRVL\$
 PEN TABLE: \$PENTBL\$

SCALES				Transport Roads & Maritime Services	ROADS AND MARITIME SERVICES		FILE No.	DRAWING	PRINTED DATE	SHEET No.	
NOT TO SCALE					MODEL DRAWINGS			27/02/2015			
TYPICAL RURAL PROPERTY ACCESS STANDARDS						REGISTRATION NUMBER					
No.	Amendment Description	Initials	Date	DESIGNED,							
A3 original This sheet may be prepared using colour and may be incomplete if copied				Co-ordinate System: MGA Zone 56		Height Datum: A.H.D.		REVIEWED,			